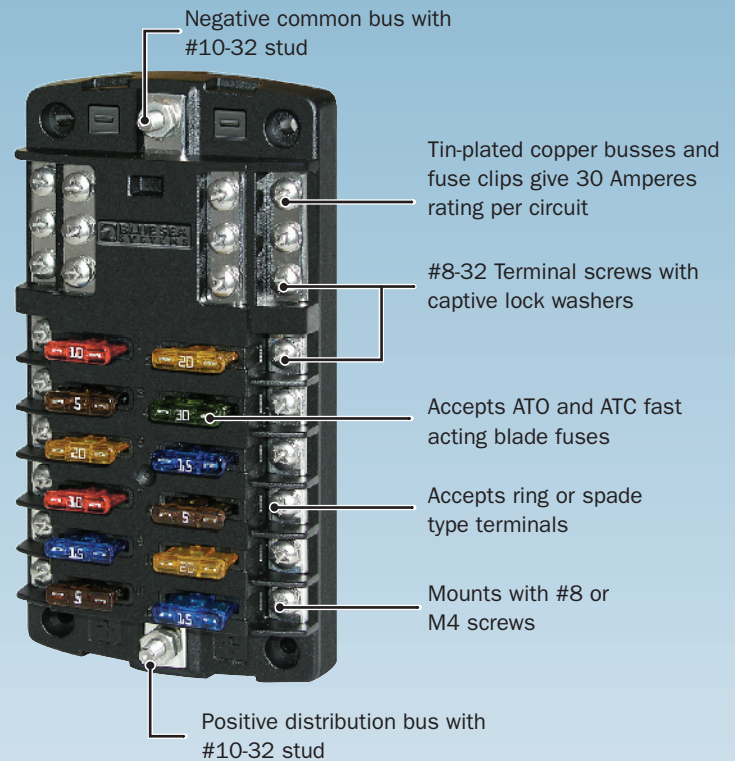
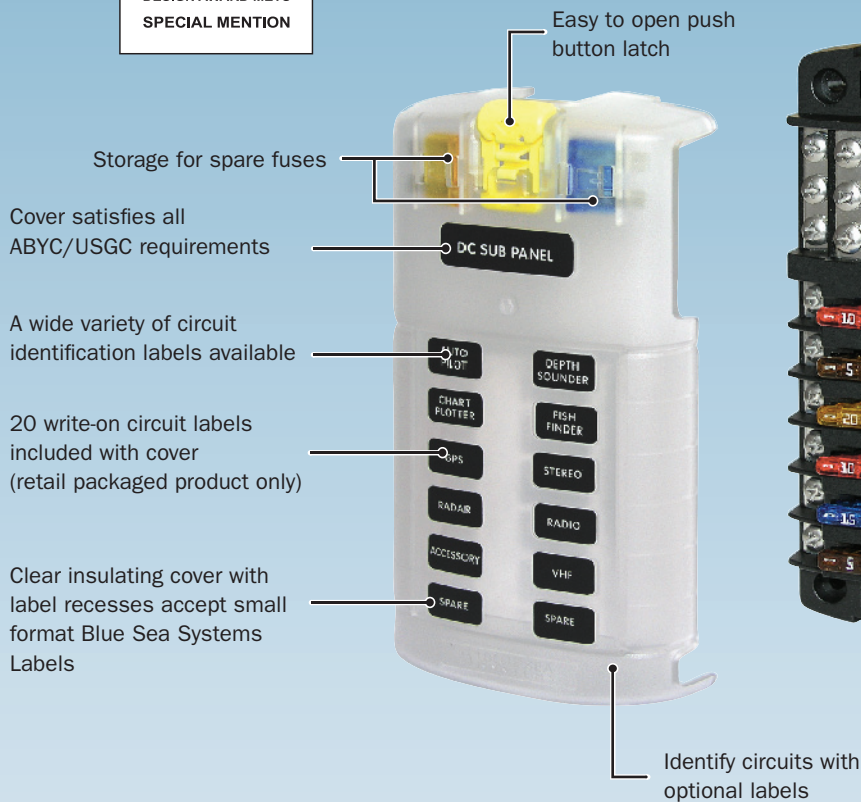


ST Blade Fuse Blocks (Screw Terminal)

DAME
DESIGN AWARD METS
SPECIAL MENTION



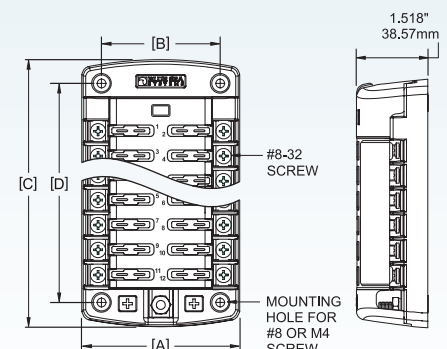
Specifications

Base Material	Reinforced Polycarbonate
Cover Material	Polycarbonate
ATO/ATC Fuses Available	1-40 Amperes DC
Maximum Amperage Per Circuit	30 Amperes DC
Maximum Amperage Per Block	100 Amperes
Maximum Voltage	32 Volts DC

ST Blade Fuse Block With Cover		
PN	Description	Weight Lb (Kg)
5025	6 circuit with negative bus	0.55 (0.25)
5026	12 circuit with negative bus	0.75 (0.34)
5028	6 circuit	0.50 (0.23)
5029	12 circuit	0.68 (0.31)

ST Blade Fuse Block Without Cover		
PN	Description	Weight Lb (Kg)
5030	6 circuit with negative bus	0.47 (0.21)
5031	12 circuit with negative bus	0.65 (0.29)
5033	6 circuit	0.42 (0.19)
5034	12 circuit	0.59 (0.27)

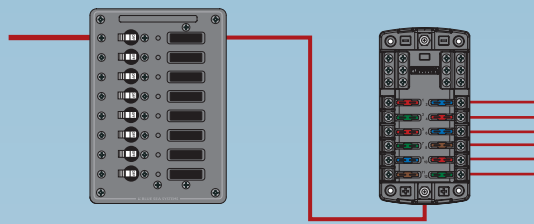
ST Blade Fuse Block Dimensions				
PN	[A] Width in" (mm)	[B] Mounting Centers in" (mm)	[C] Height in" (mm)	[D] Mounting Centers in" (mm)
5028/5033	3.315 (84.20)	2.500 (63.50)	3.652 (92.76)	2.639 (67.03)
5025/5030	3.315 (84.20)	2.500 (63.50)	4.894 (124.31)	3.881 (95.58)
5029/5034	3.315 (84.20)	2.500 (63.50)	5.230 (132.84)	4.217 (107.11)
5026/5031	3.315 (84.20)	2.500 (63.50)	6.472 (164.39)	5.459 (138.66)





Circuit Breaker Panel Combined with ST Blade Fuse Block

The ST Blade Fuse Block can help...



1. **Reduce the Cost per Circuit** - replace expensive individual circuit breakers for each electronic unit with one ST Blade Fuse Block
2. **Eliminate Switching Redundancy** - switching provided by a circuit breaker on the panel is redundant with local switch on electronics
3. **Improve Electronics' Over current Protection** - ATC fuses offer the fast over current protection recommended by most electronics manufacturers

ATO/ATC Fuses

- Color-coding makes determining amperage quick and easy
- Body size and configuration makes inserting and extracting easier
- Fast-acting type fuses ideal for electronic devices
- Visibility of the fuse element makes identifying blown fuses easier
- Standard circuit protection device for automobiles and trucks
- Tin-plated connector blades for corrosion resistance
- Visible indication of blown condition
- Sold in packages of 2

Specifications

Maximum Voltage	32 Volts DC
Interrupt Capacity	1,000 Amperes DC
Delay	See www.blueseas.com
Weight per package	0.03Lb (0.01Kg)

PN	Amperage
5235	1A
5236	2A
5237	3A
5238	4A
5239	5A
5240	7.5A
5241	10A
5242	15A
5243	20A
5244	25A
5245	30A
5246	40A

