



SAFETYHUB 100

FUSE BLOCK

SAFELY CONSOLIDATES AND PROTECTS SEVEN 1A to 200A CIRCUITS

SAFE

Ignition protected for use on gasoline powered boats

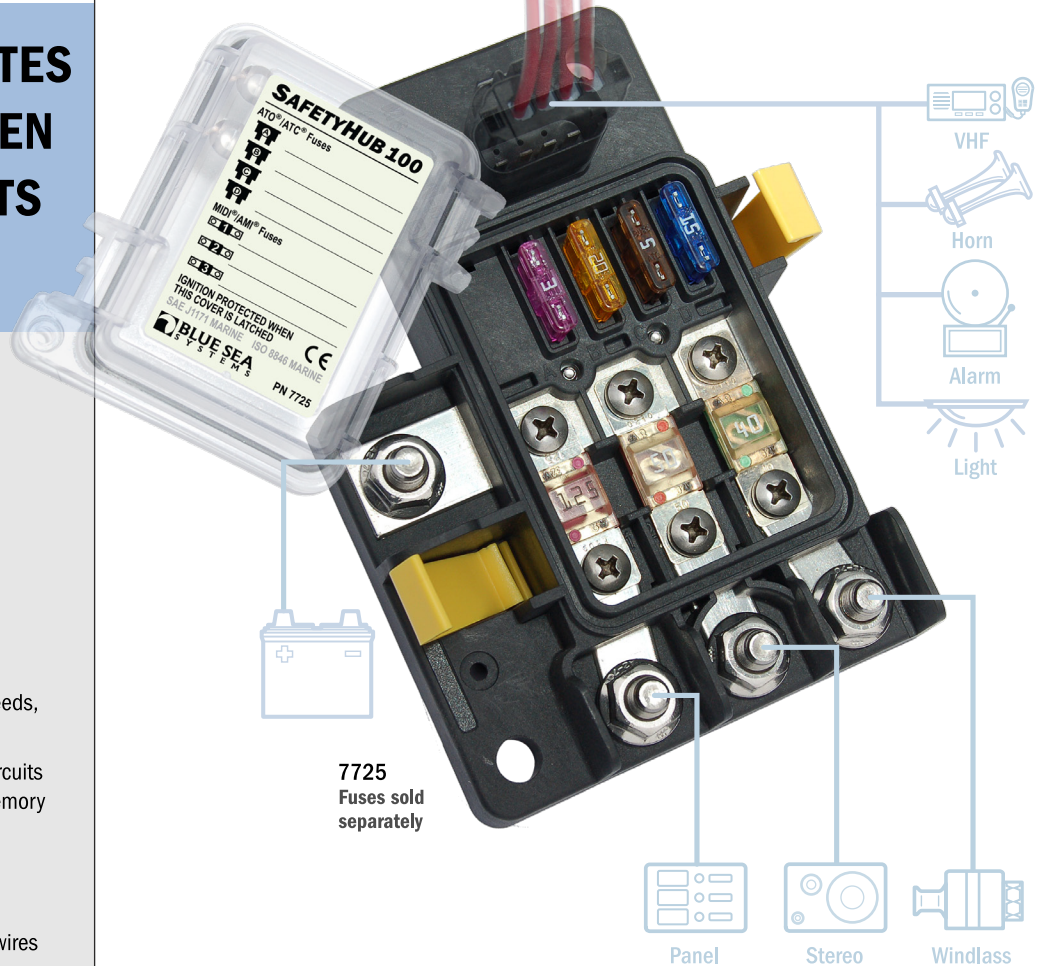
SIMPLE

Reduces the number of wiring connections

COMPACT

Consolidates up to 7 fused circuits

- Three 30A–200A AMI®/MIDI® Fuses ideal for high-amp circuits including panel feeds, windlasses, and stereo amplifiers
- Four 1A–20A ATO®/ATC® Fuses ideal for circuits including bilge pumps, alarms, and clock memory
- Sealed cover protects fuses from the harsh marine environment: IP66 rating—protected against powerful water jets
- Integrated connector plugs eliminate loose wires and provide a secure connection
- Ignition protected fuse block meets Coast Guard and ABYC requirements for installation on gasoline or diesel powered boats



ATO® /ATC® Fuses



AMI®/MIDI® Fuses



AMI® (Cooper Bussmann®)
MIDI® (Littelfuse®)

Included with Retail Packaged Unit



ATO®/ATC® FUSE
CONNECTOR PLUG
WITH 12" HARNESS
PN 7731 FCI 2.8mm

SAFETYHUB 100

FUSE BLOCK

Specifications

Imxo Amperage Maximum Operating (combined)	300A*
Vmxo Nominal Operating Voltage	12V DC
Minimum Input Cable Size to Meet Rating	4/0 (120mm)
Recommended Ring Terminal	5/16" (M8)
Stud Size	M8 x 1.25
Stud Torque	15 lb-ft

AMI®/MIDI® Fuse Block

Imxo Amperage Maximum Operating (per block)	250A†
Imxo Amperage Maximum Operating (per circuit)	170A†
Fuse Amperages Available	30A-200A
Screw Size	M5 x .8 x 10
Screw Torque	27 lb-in

ATO®/ATC® Fuse Block

Imxo Amperage Maximum Operating (per block)	50A†
Imxo Amperage Maximum Operating (per circuit)	20A†
Fuse Amperages Available	1A-30A

Regulatory

CE marked, ISO 8846, SAE J1171

Meets ISO 8846 ignition protection, and SAE J1171 external ignition protection requirements

IP66—Protected against powerful water jets

* Wire Size and Current Rating Table

AWG Wire Size	Metric Wire Size	Amperage
4/0 AWG	120 mm ²	300A
2/0 AWG	70 mm ²	240A
1 AWG	50 mm ²	160A
4 AWG	25 mm ²	100A

† Ratings are dependent on input cable sized for appropriate amperages



Fuse and fuse block packages are color coded for easy identification





Retail Clamshell Packaging

Specifications subject to change. See www.blueseas.com for additional information and specifications.

980004810 Rev.003

PRODUCT COMPARISON TABLE

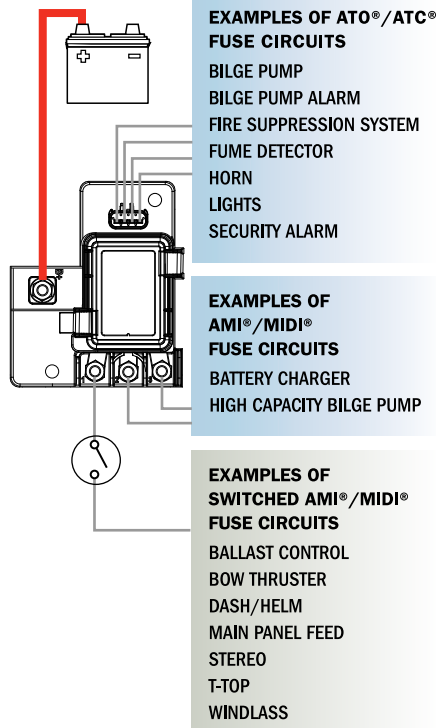
Configurations	PN	Packaged	Local Control Knob	Accommodates ATO®/ATC® Fuses	Accommodates MIDI®/AMI® Fuses	Wire Harness	Remote Control Switch	Regulatory
SAFETYHUB 100 	7725	Retail	—	4	3	1	—	CE marked ISO 8846 SAE J1171
	7725B	OEM	—	4	3	—	—	● ●
SAFETYHUB 150 	7748	Retail	—	6	4	—	—	CE marked ISO 8846 SAE J1171
	7748B	OEM	—	6	4	—	—	● ●
SAFETYHUB 250 	7727	Retail	Yes	4	3* *2 fuse circuits when engine circuit link bus is used	2	Yes	CE marked ISO 8846 SAE J1171
	7727B	OEM	Yes	4	3* *2 fuse circuits when engine circuit link bus is used	—	—	●

REGULATORY KEY

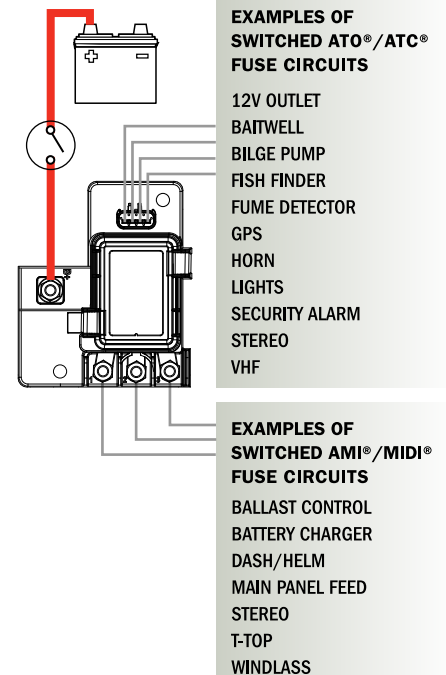
● Meets ISO 8846 ignition protection, and SAE J1171 external ignition protection requirements ● IP66—Protected against powerful water jets

APPLICATION DIAGRAMS

FUSE BLOCK CONNECTED DIRECTLY TO THE BATTERY



FUSE BLOCK CONNECTED AFTER THE BATTERY SWITCH for trailer or dry storage boats



LEGEND

CONNECTING WIRES 
LOAD WIRES 



425 Sequoia Drive
Bellingham, WA 98226 USA
p 360.738.8230
p 800.222.7617 USA and Canada Customer Service
f 360.734.4195
conductor@blueseas.com
www.blueseas.com